

# Nordic S3

PRODUCT CODE 800120, 800121, 800122, 800123



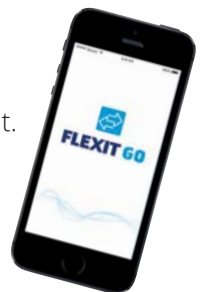
Ventilation unit for small houses, single-family houses and small commercial buildings.

## Product description

- Balanced ventilation with a good indoor climate
- Very energy-efficient with high efficiency and low SFP value
- Quiet
- Smart control with Flexit GO

## Automatic control

The Flexit GO app is standard for the unit.




A CI 70 control panel can be ordered as an accessory.

	NOBB	GTIN	Model
800120	54073626	7023678001202	Nordic S3 RER right-hand model with electric battery
800121	54073634	7023678001219	Nordic S3 REL left-hand model with electric battery
800122	54073645	7023678001226	Nordic S3 R R right-hand model without electric battery
800123	54073653	7023678001233	Nordic S3 R L left-hand model without electric battery

Technical data

	S3 RE	S3 R
	with electric battery	without electric battery
Rated voltage (AC 50 Hz)	230 V	230 V
Frequency	50 Hz	50 Hz
Fuse size	10 A	10 A
Rated current	3,4 A	1,2 A
Rated power, total	679 W	179 W
Rated power, max. electric battery	500 W	-
Rated power, fans	2x83 W	2x83 W
Rated power, rotor motor	4 W	4 W
Fan type	B-wheel	B-wheel
Fan motor control	0-10 V	0-10 V
Max. fan speed RPM	3 200	3 200
Automatic control, standard	Flexit GO	Flexit GO
Filter class	ePM1 55% (F7)	ePM1 55% (F7)
Filter type (supply air/extract air)	Compact filter	Compact filter
Filter dimensions (WxHxD)	166 x 272 x 48 mm	166 x 272 x 48 mm
Weight	56 kg	56 kg
Kitchen fan connection	Dia. 125 mm	Dia. 125 mm
Duct connection	Dia. 160 mm	Dia. 160 mm
Height	777 mm	777 mm
Width	599 mm	599 mm
Depth	537 mm	537 mm
Colour	White	White
RAL	9016	9016
Gloss	25-35	25-35

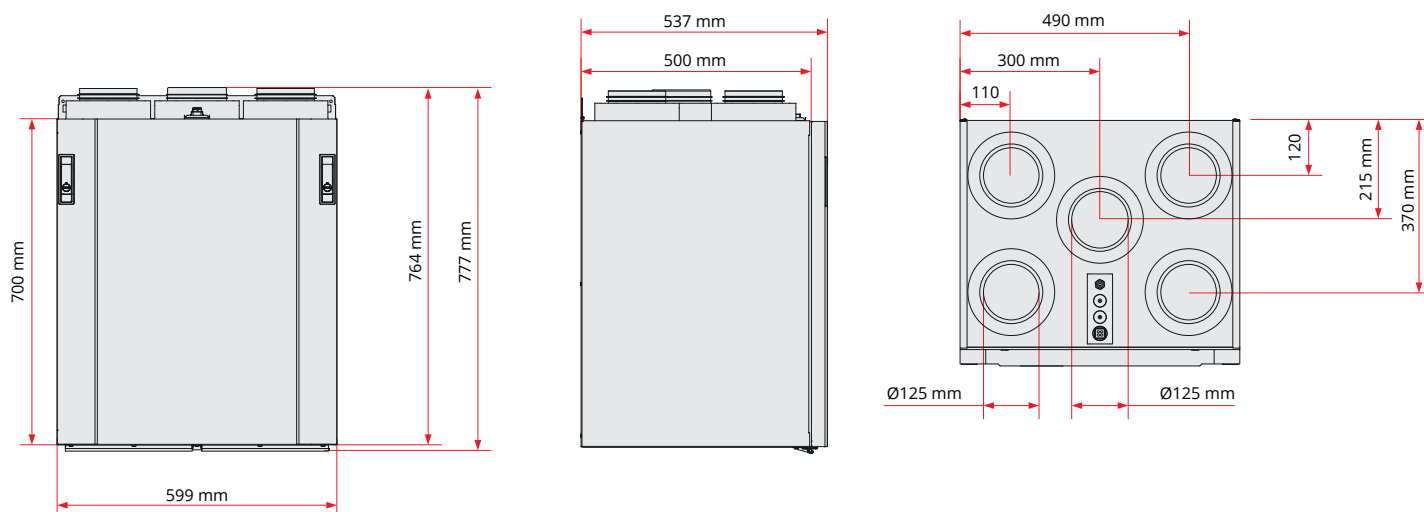
Energy class: 

CTRL 0.65

**LOCAL DEMAND CONTROL**

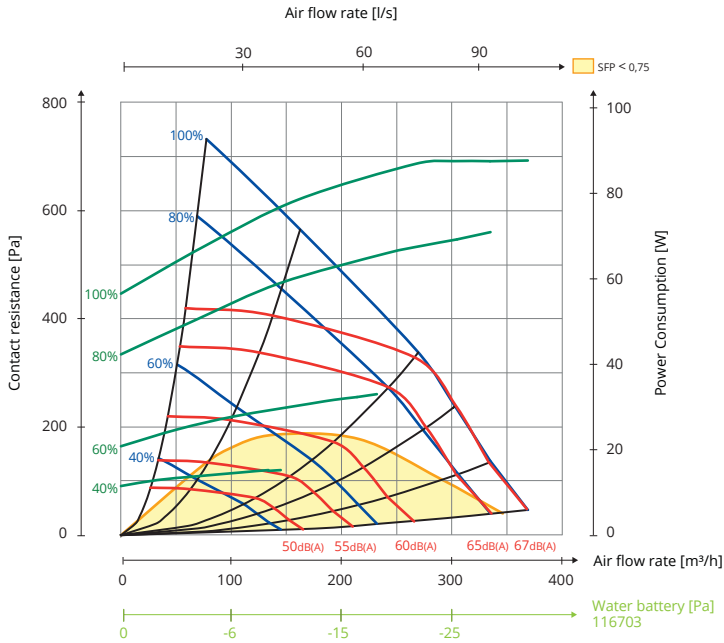
Sensor control for different zones  
**Accessories:** App + CO<sub>2</sub> sensor/motion sensor + damper  
**Result:** Increased air flow rate in zones that need it

Dimensioned drawings

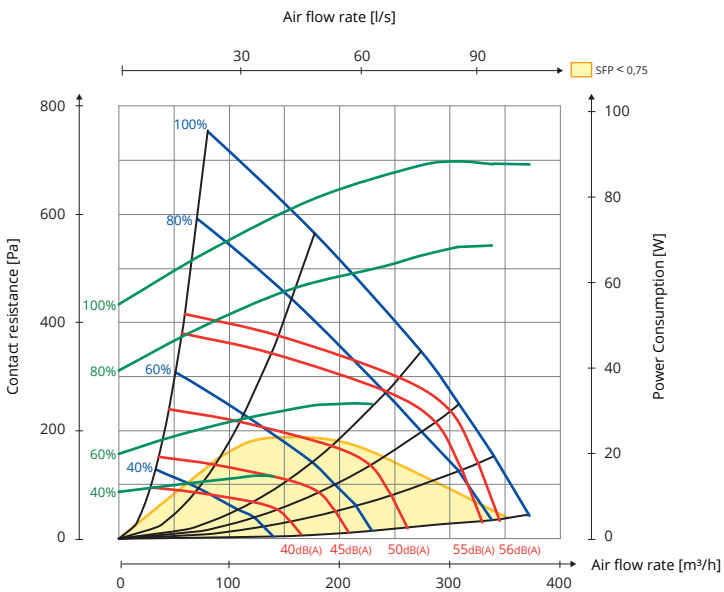


## Capacity diagram

### Supply air side



### Extract air side



Hz	63 Lw(dB)	125 Lw(dB)	250 Lw(dB)	500 Lw(dB)	1000 Lw(dB)	2000 Lw(dB)	4000 Lw(dB)	8000 Lw(dB)	LwA (dBA)
Supply air	8	4	3	-1	-9	-11	-20	-28	
Extract air	14	8	6	-8	-14	-18	-25	-26	
Radiated	-11	-13	-17	-26	-34	-32	-36	-34	-20

#### Explanation of diagram:

Sound data is specified as sound power level LwA in the capacity diagrams. (This is sound to duct.)

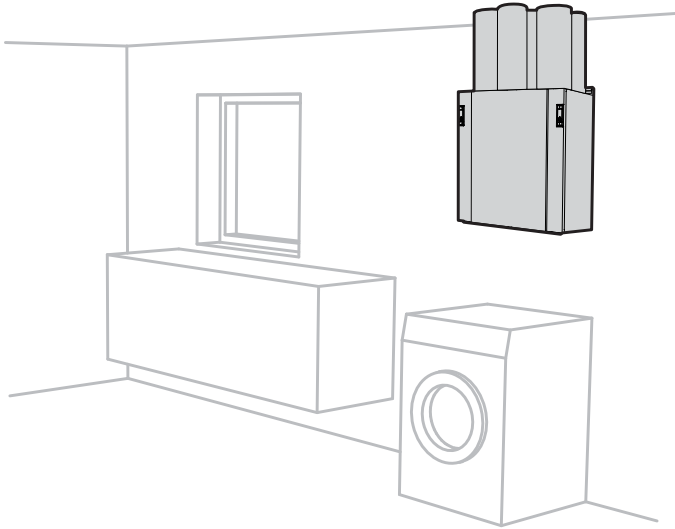
These values can be corrected by means of the table for the different octave bands in order to look at Lw (without adaptation to A band).

The correction table for the various octaves is stated in Lw, which means that the Lw values are after conversion of each octave for supply air and extract air.

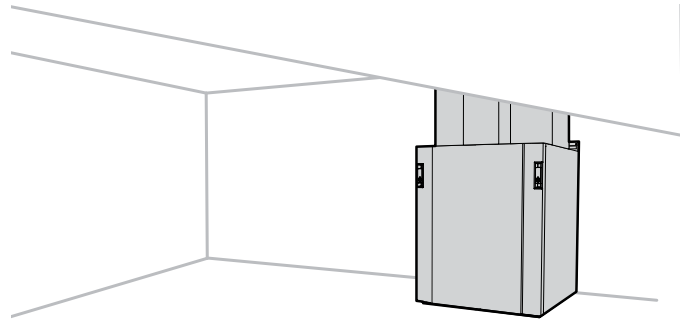
Radiated sound from the unit must be calculated from the supply air diagram.

## Position

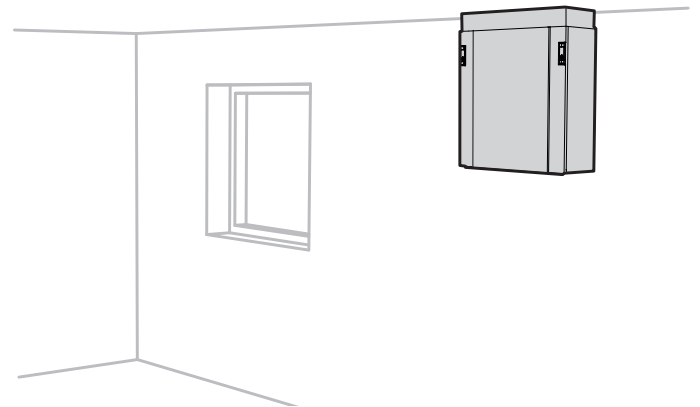
The unit can be installed in the following ways:



- On a wall  
(Mounting supplied with unit.)

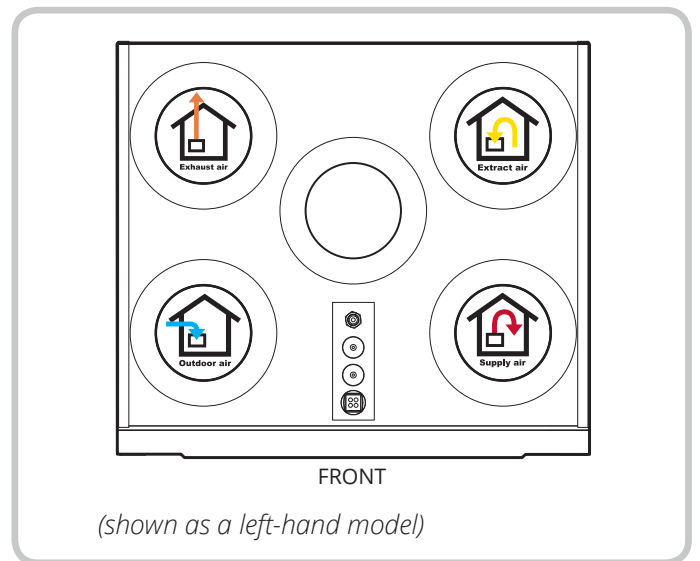
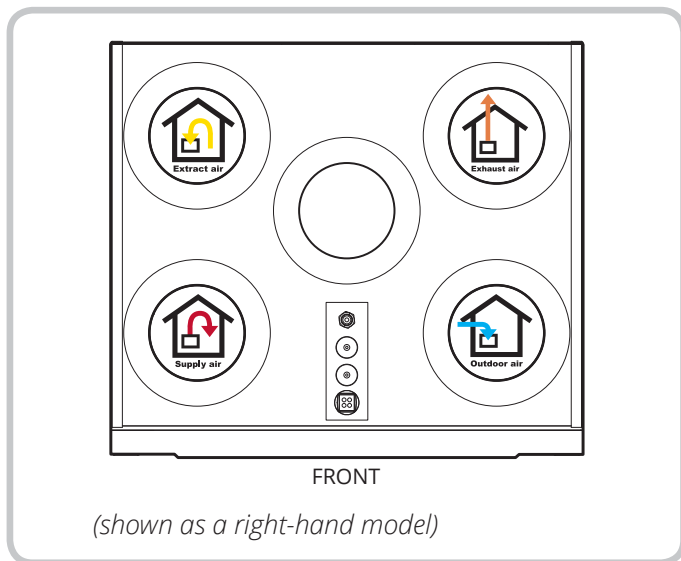


- On the floor  
Absorption feet must be fitted  
(available as an accessory).



- Suspended from the ceiling  
A ceiling mounting must be fitted  
(available as an accessory).

## Nipple location



For more information on topics including installation, wiring diagrams and accessories, see [www.flexit.com](http://www.flexit.com)

